

**MOTOR SPECIFICATION SHEET**

MODEL : SF-QRGH 7.5HP 4P RATIO 1:50 (LT)

USED FOR : GEAR MOTOR

| DESCRIPTION                      | DETAIL   |      |      |  |
|----------------------------------|--|------|------|--|
| PHASE                            | 3  |      |      |  |
| MODEL NAME                       | SF-QRGH  |      |      |  |
| RATED OUTPUT, HP (kW)            | 7.5 (5.5)  |      |      |  |
| POLE                             | 4  |      |      |  |
| CODE                             | MEATH CODE : 1G7050-0550H-LTQR0                                      |      |      |  |
| OUTLINE DRAWING NO.              | ONM24O345-A  |      |      |  |
| RATED VOLTAGE (V)                | 220  | 380  | 415  |  |
| RATED FREQUENCY (Hz)             | 50   | 50   | 50   |  |
| RATED CURRENT (A)                | 20.2   | 11.7 | 11.6 |  |
| RATED SPEED (min <sup>-1</sup> ) | 29   | 29   | 29.5 |  |
| RATED EFFICIENCY (%)             | 84.7   | 84.7 | 84.7 |  |
| EFFICIENCY CLASS                 | IE1  |      |      |  |
| THERMAL CLASS                    | 155(F)   |      |      |  |
| RATING                           | S1 (CONTINUOUS)  |      |      |  |
| ENCLOSURE CONSTRUCTION           | TOTALLY ENCLOSED FAN COOLED  |      |      |  |
| DEGREES OF PROTECTION            | IP55   |      |      |  |
| METHOD OF COOLING                | IC411  |      |      |  |
| FRAME NO.                        | 132S   |      |      |  |
| WEIGHT (kg)                      | 143  |      |      |  |
| STANDARD                         | IEC 60034-1, IEC 60034-30-1  |      |      |  |
| INSTALLATION                     | FOOT MOUNTED   |      |      |  |
| ROTATION                         | CW (VIEWED FROM SHAFT END)   |      |      |  |
| BEARING                          | LOAD SIDE : 6309ZZ   |      |      |  |
|                                  | OPPOSITE SIDE : 6207ZZ   |      |      |  |
| BEARING GREASE                   | UREA GREASE  |      |      |  |
| CIRCUMSTANCE<br>CONDITION        | AMBIENT TEMPERATURE : -20 ~ +40°C                                    |      |      |  |
|                                  | AMBIENT HUMIDITY : 95%RH OR LESS                                     |      |      |  |
|                                  | ABOVE SEA LEVEL : 1000m OR LESS                                      |      |      |  |
|                                  | ENVIRONMENT : NO BURSTING/EROSIVE GAS OR VAPOR                       |      |      |  |
| COLOR                            | MUNSELL N1.5 (BLACK)   |      |      |  |
| TERMINAL BOX                     | NO. OF LEAD WIRES : 6  |      |      |  |
|                                  | SOURCE CONNECTION : TERMINAL BLOCK                                   |      |      |  |
| GEAR RATIO                       | 1:50   |      |      |  |
| GEAR LUBRICANT                   | OIL (Must be filled by user.)  |      |      |  |
| SERVICE FACTOR                   | 1.4  |      |      |  |
| MATERIAL                         | FRAME : STEEL PLATE  |      |      |  |
|                                  | BRACKET (GEAR SIDE) : N/A (Frame is directly connected to Gear case) |      |      |  |
|                                  | BRACKET (OPP SIDE) : ALUMINIUM                                       |      |      |  |
|                                  | GEAR CASE : CAST IRON  |      |      |  |
|                                  | SHAFT (MOTOR) : STEEL  |      |      |  |
|                                  | SHAFT (GEAR OUTPUT) : STEEL  |      |      |  |
|                                  | STATOR CORE : ELECTRICAL STEEL                                       |      |      |  |
|                                  | WIRE : ENAMELLED COPPER MAGNET WIRE                                  |      |      |  |
|                                  | ROTOR CORE : ELECTRICAL STEEL  |      |      |  |
|                                  | CONDUCTOR : ALUMINIUM  |      |      |  |
|                                  | TERMINAL BOX : STEEL PLATE   |      |      |  |
|                                  | PAINTING : POLYURETHANE RESIN  |      |      |  |
| PRODUCTION COUNTRY               | THAILAND   |      |      |  |

Specifications subject to change without notice.

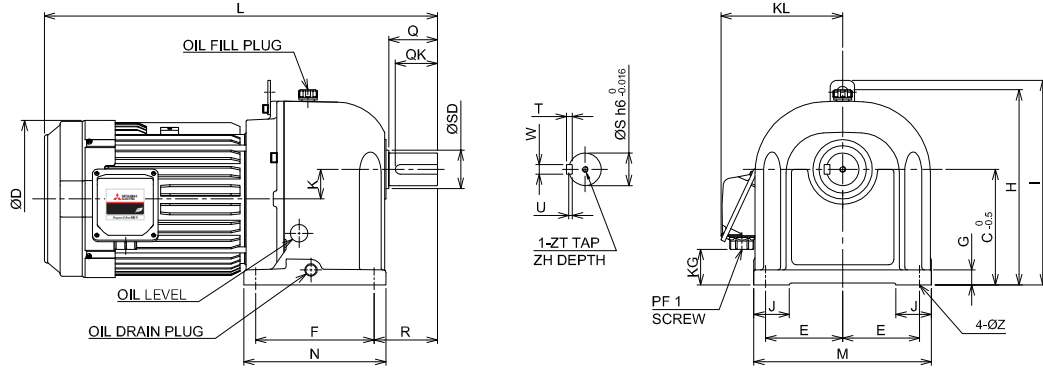
**SPECIFICATION SHEET NO.**

SS-M-2938-B

# MODEL SF-QRGH THREE PHASE INDUCTION MOTOR OUTLINE DRAWING

GEAR MOTOR  
 TOTALLY ENCLOSED FAN COOLED  
 DEGREES OF PROTECTION IP55  
 DUST & WATER JET PROOF

CUSTOMER \_\_\_\_\_  
 USER \_\_\_\_\_  
 FOR \_\_\_\_\_  
 CUSTOMER'S ORDER NO. \_\_\_\_\_  
 QUANTITY \_\_\_\_\_  
 MFG. ORDER NO. \_\_\_\_\_



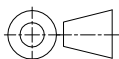
| YOUR ORDER | GEAR RATIO | DIMENSION(mm.) |    |    |     |    |     |     |     |    |    |   |     |    |    |     |     |     |    |     | WEIGHT (kg.) |    |     |     |     |    |     |
|------------|------------|----------------|----|----|-----|----|-----|-----|-----|----|----|---|-----|----|----|-----|-----|-----|----|-----|--------------|----|-----|-----|-----|----|-----|
|            |            | L              | Q  | QK | ØD  | K  | F   | R   | N   | T  | W  | U | ZT  | ZH | ØS | ØSD | KL  | KG  | J  | E   |              | M  | G   | C   | H   | I  | ØZ  |
|            | 1:3~1:30   | 663.5          | 82 | 71 | 266 | 50 | 200 | 107 | 240 | 10 | 16 | 6 | M10 | 18 | 55 | 58  | 205 | 77  | 60 | 130 | 300          | 25 | 195 | 330 | 345 | 19 | 109 |
|            | 1:40,1:50  | 697            | 90 | 72 | 266 | 60 | 230 | 120 | 280 | 11 | 18 | 7 | M10 | 18 | 60 | 63  | 205 | 102 | 70 | 150 | 350          | 30 | 230 | 380 | 395 | 24 | 143 |

| YOUR ORDER | MOTOR FRAME SIZE | RATING     | TH. CLASS | AMB. TEMP | BEARINGS  |           | COLOR                | GEAR RATIO            | DIRECTION OF ROTATION (VIEWED FROM SHAFT END) | NO. OF LEAD WIRES | REMARKS |
|------------|------------------|------------|-----------|-----------|-----------|-----------|----------------------|-----------------------|---|-------------------|---------|
|            |                  |            |           |           | LOAD SIDE | OPP. SIDE |                      |                       |   |                   |         |
|            | 132S             | S1 (CONT.) | 155(F)    | 40°C      | 6309ZZ    | 6207ZZ    | BLACK (MUNSELL N1.5) | 1:3~1:30<br>1:40~1:50 | CCW<br>CW                                     | 6                 |         |

| YOUR ORDER | RATIO | SERVICE FACTOR | MOTOR OUTPUT |     | POLE | VOLT        | HERTZ | OUTPUT SPEED (min <sup>-1</sup> ) | AMP.           | IE CODE - RATED EFF.  | TYPE | LUBRICATION TYPE   |
|------------|-------|----------------|--------------|-----|------|-------------|-------|-----------------------------------|----------------|-----------------------|------|--------------------|
|            |       |                | HP           | KW  |      |             |       |                                   |                |                       |      |                    |
|            | 1:3   | 1.4            | 7.5          | 5.5 | 4    | 220/380/415 | 50    | 500/500/500                       | 20.2/11.7/11.6 | IE1-84.7%/84.7%/84.7% | LT   | OIL <sup>(1)</sup> |
|            | 1:5   | 1.4            | 7.5          | 5.5 | 4    | 220/380/415 | 50    | 295/295/300                       |                |                       |      |                    |
|            | 1:10  | 1.4            | 7.5          | 5.5 | 4    | 220/380/415 | 50    | 150/150/151                       |                |                       |      |                    |
|            | 1:15  | 1.4            | 7.5          | 5.5 | 4    | 220/380/415 | 50    | 101/101/102                       |                |                       |      |                    |
|            | 1:20  | 1.4            | 7.5          | 5.5 | 4    | 220/380/415 | 50    | 76.5/76.5/77                      |                |                       |      |                    |
|            | 1:25  | 1.4            | 7.5          | 5.5 | 4    | 220/380/415 | 50    | 61.5/61.5/62                      |                |                       |      |                    |
|            | 1:30  | 1.4            | 7.5          | 5.5 | 4    | 220/380/415 | 50    | 47.5/47.5/47.5                    |                |                       |      |                    |
|            | 1:40  | 1.4            | 7.5          | 5.5 | 4    | 220/380/415 | 50    | 37.5/37.5/37.5                    |                |                       |      |                    |
|            | 1:50  | 1.4            | 7.5          | 5.5 | 4    | 220/380/415 | 50    | 29/29/29.5                        |                |                       |      |                    |
|            | 1:3   | 1.4            | 7.5          | 5.5 | 4    | 380/415     | 50    | 500/500                           | 11.7/11.7      | IE1-85.8%/85.6%       | HT   |                    |
|            | 1:5   | 1.4            | 7.5          | 5.5 | 4    | 380/415     | 50    | 295/300                           |                |                       |      |                    |
|            | 1:10  | 1.4            | 7.5          | 5.5 | 4    | 380/415     | 50    | 150/151                           |                |                       |      |                    |
|            | 1:15  | 1.4            | 7.5          | 5.5 | 4    | 380/415     | 50    | 101/102                           |                |                       |      |                    |
|            | 1:20  | 1.4            | 7.5          | 5.5 | 4    | 380/415     | 50    | 76.5/77                           |                |                       |      |                    |
|            | 1:25  | 1.4            | 7.5          | 5.5 | 4    | 380/415     | 50    | 61.5/62                           |                |                       |      |                    |
|            | 1:30  | 1.4            | 7.5          | 5.5 | 4    | 380/415     | 50    | 47.5/47.5                         |                |                       |      |                    |
|            | 1:40  | 1.4            | 7.5          | 5.5 | 4    | 380/415     | 50    | 37.5/37.5                         |                |                       |      |                    |
|            | 1:50  | 1.4            | 7.5          | 5.5 | 4    | 380/415     | 50    | 29/29.5                           |                |                       |      |                    |

NOTE : (1) PLEASE FILL IN OIL BEFORE FIRST TIME USAGE. (SEE DETAIL IN THE INSTRUCTION MANUAL)

MITSUBISHI ELECTRIC AUTOMATION (THAILAND) CO.,LTD.



DIMENSION IN mm.  
 SCALE : NTS

OUTLINE DRAWING NO.

ONM240345

REV.

A